



More Power Solutions

36W Series Desktop Adapter  
Switching Power Supplies

# DATA SHEET

## Features

- 36W Series Desktop Adapter
- High Power in Compact Size
- Energy Star 2.0

## Applications

- Mobile Devices
- Pos machine
- Audio & Video product
- ADSL
- Set-top-box
- Household appliance



## Protection

- Short Circuit Protection
- Over Current Protection
- Over Voltage Protection

## Safety

- EMI:FCC,CE
- Safety Standards: UL60950-1,EN60950-1, AS/NZS60950-1, BS EN60950-1

## Specifications

ITEM	SPECIFICATION	MIN	TYP.	MAX	Unit
Input Rated Voltage	Single Phase	100	115/230	240	V
Input Voltage Range	Single Phase	90		264	V
Input Rated Frequency	Single Phase		50/60		Hz
Input Frequency Range	Single Phase	47		63	Hz
Input Rated Current	Typical Input Voltage& Output At Full Load			1.3	A
Input In-rush Current	Typical Input Voltage& Output At Full Load			100	A
Static Power Consumption	Typical Input Voltage& Output At No Load			0.5	W
Efficiency	at 115Vac/60Hz and 230Vac/50Hz with 100%, 75%, 50% and 25% rated load	84.63			%
Output Rated Voltage	Typical Output Voltage Range $\pm 5\%$	11.4	12	12.6	V
Output Rated Current		0.1		3.0	A
Output Rated Power				36	W
Ripple and Noise	Typical Input Voltage& Typical Load Current			200	mV
Protection	Short Circuit, Over Current, Over Voltage Protection				
Hi-Pot Test	3000V rms / 50Hz, 60 sec, 10mA Max				
Insulation Resistance	Input to Output,DC500V,10M $\Omega$ MIN				
Temperature	Operating: -0 $^{\circ}$ C to + 40 $^{\circ}$ C,Storage: -40 $^{\circ}$ C to + 80 $^{\circ}$ C				
Humidity	Operating: Up to + 90%,Storage: Up to + 90%				
DC Plug/Cable Length	5.5 $\times$ 2.5 $\times$ 10mm Fork & Groove /1500mm UL2468 18AWG WIRE,/EIAJ				

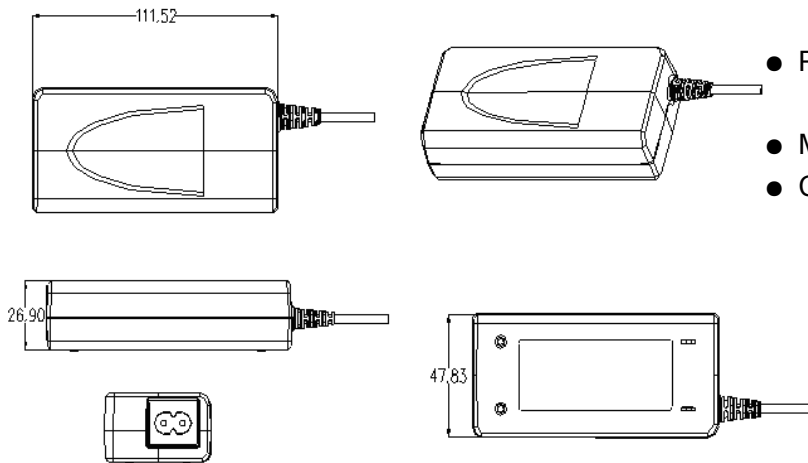
For further information contact:  
[www.vistektechnology.com](http://www.vistektechnology.com)

Shenzhen Vistek Technology Co.Ltd

605 Yongzheng Building NO.#278 Defeng Road , Fuyong,Shenzhen,China 518103  
Tel: (86) -755-61183820-808 Fax: (86) -755-61183820-805

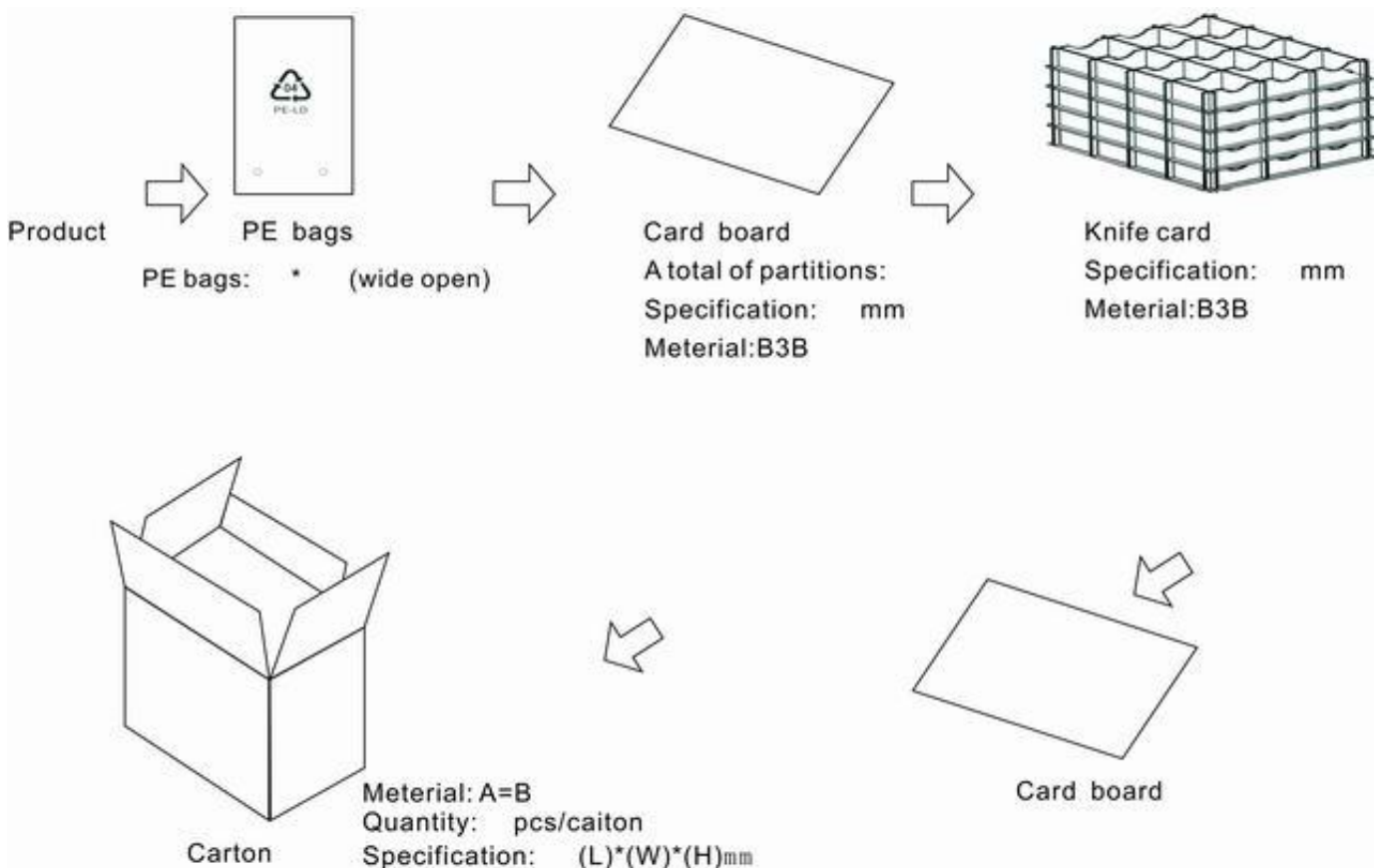
## 36W Series Desktop Adapter

### Enclosure drawing



- Physical size: 111.52±2mm(L) × 47.83±2mm(W) × 26.9±2mm(H)
- Material: PC, 94V-0
- Color: Black/White

### Packing Information



For further information contact:  
[www.vistektechnology.com](http://www.vistektechnology.com)

Shenzhen Vistek Technology Co.Ltd  
605 Yongzheng Building NO.#278 Defeng Road , Fuyong, Shenzhen, China 518103  
Tel: (86) -755-61183820-808 Fax: (86) -755-61183820-805